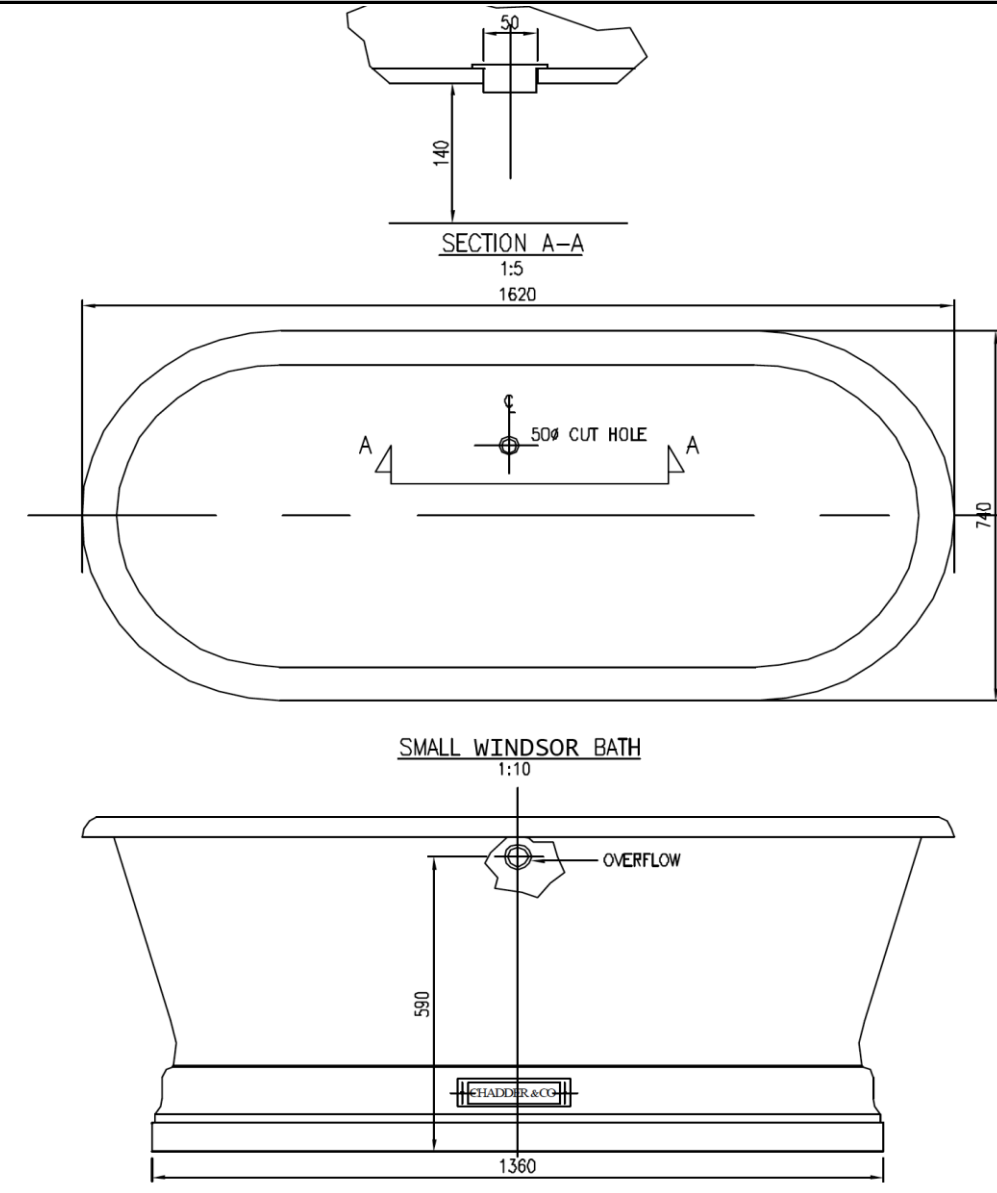


DATE	DEC.2012
DESIGNED BY	M. CHADDER
COPYRIGHT	YES
MADE IN	ENGLAND

**SPEC. SHEET**

PRODUCT	FINISHES
WINDSOR BATH	PRIMED OUTSIDE CUSTOME FINISH IRON AGE

**Details**



©

**Notes**

MADE FROM CHADITE COMPOSITE WEIGHT APPROX 90. KG  
STANDARD OUTSIDE FINISH PRIMED READY FOR PAINTING / ENQUIRE ABOUT OUR CUSTOM  
THE OUTSIDE INCLUDING MOSIAC TILE AND / IRON AGE